

# X-TENUATOR SYSTEM® | REDIRECTIVE, NON-GATING CRASH CUSHION

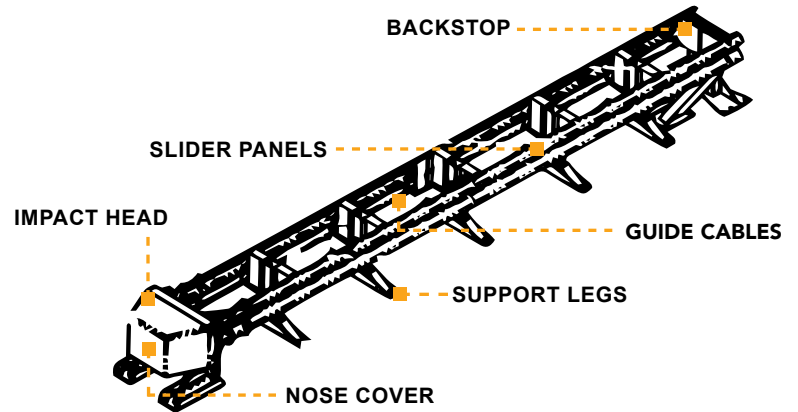
- COST EFFECTIVE HAZARD PROTECTION
- DESIGNED FOR USE IN PERMANENT OR WORK ZONE APPLICATIONS
- NCHRP 350 TL-3 ACCEPTED



***BARRIER SYSTEMS***<sup>™</sup>  
BY LINDSAY

## PHYSICAL SPECIFICATIONS

Classification	R-NG-S	
Length	24' 9"	7.5 m
Width	22"	560 mm
Height	31 3/16"	788 mm
Weight	1650 lb	750 kg
Test Level	NCHRP 350	TL-3



## REDIRECTIVE, NON-GATING PERFORMANCE TO SHIELD GUARDRAIL OR THE END OF CONCRETE BARRIERS

The redirective, non-gating, sacrificial (R-NG-S) X-TENUator System features excellent impact performance at an affordable price. Utilizing superior engineering design, the X-TENUator System provides the life saving performance of a redirective non-gating crash cushion without the high cost. The X-TENUator System has been designed to be installed permanently and is also approved to be used on asphalt in work zones where redirective non-gating performance is required. Standard transition options and narrow footprint make the X-TENUator System ideal for shielding roadside hazards, and reducing inventory costs.

## FREQUENTLY ASKED QUESTIONS

### Can the X-TENUator System be attached to standard guardrail?

Yes, the X-TENUator System has been designed to be attached to single and double spaced guardrail.

### Can the X-TENUator System be attached to concrete barrier?

Yes, due to its freestanding backup the X-TENUator System can be attached to concrete barrier.

### Can the X-TENUator System be installed on asphalt?

Yes, the X-TENUator System can be used on an asphalt foundation with additional anchors.

### Can the X-TENUator System be used in a work zone?

Yes, The X-TENUator System has been designed to be used in temporary applications to shield narrow hazards such as portable concrete barrier.

## FEATURES

- Low cost hazard protection
- 26 ground anchors required for concrete installations
- Accepted for installation on asphalt
- Attaches to single faced guardrail, double faced guardrail and concrete barrier
- Can be attached to concrete barrier with standard W-Beam transitions

## DISTRIBUTED BY:



18135 Burke Street, Suite 100 • Omaha, NE 68022 • +1 (402) 829-6800 U.S. Toll Free: (888) 800-3691 • [www.lindsay.com](http://www.lindsay.com)