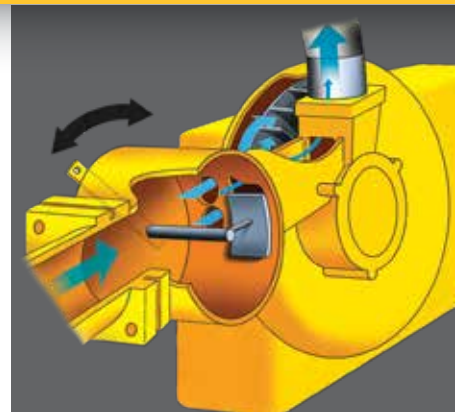


EXPERT RANGE



PERROT™ BY LINDSAY HOSE REELS FULL RANGE



QUALITY AND PERFORMANCE

All Perrot™ by Lindsay hose reels are designed and manufactured at La Chapelle d'Aligné plant (France).

Perrot:

EXPERT = Experience and Expertise

With over 40 years' experience, the use of high quality components and raw materials guarantee the high quality and durability of a Perrot by Lindsay hose reel.



EASY TO USE, AND SAFE OPERATION

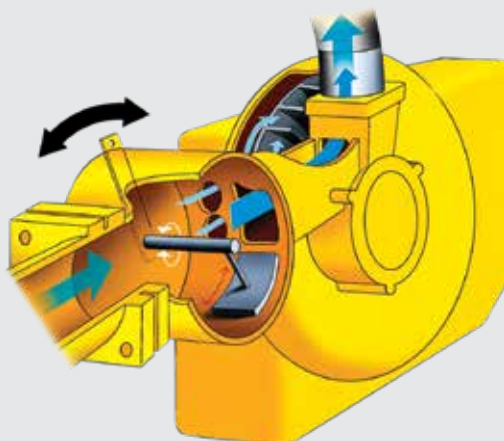


The Perrot by Lindsay hose reels integrate the latest components offering optimum driving performance notably a high output turbine which is regulated by an electric driven by-pass motor.

This turbine is directly connected to a 4 speed gearbox for increased power ensuring always optimal efficiency.

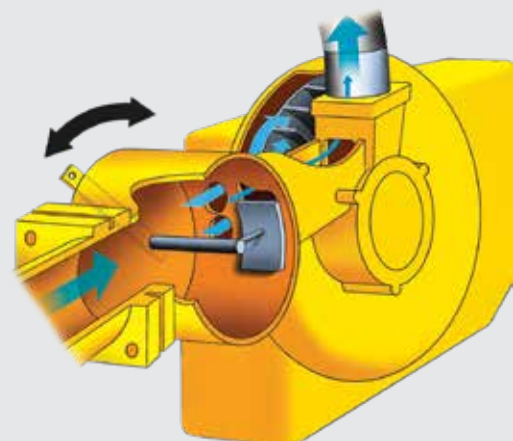
This drive unit allows for high retraction speeds, even with low flow or pressure, whilst at the same time working with minimal pressure losses.

The most efficient turbine on the market



SLOW SPEED (WORKING WITHOUT LOAD)

The bypass is completely open: most of the flow goes directly to the gun without going through the turbine.



HIGH SPEED (OR START-UP PHASE)

The bypass automatically closes, a larger share of flow goes through the turbine, increasing speed or power.

EASY TO USE, AND SAFE OPERATION



EASY AND COMFORTABLE TO USE:

- A smart design which takes into account all farmers' stress and offers solutions to facilitate operations therefore reducing workload.
- Hydraulic rain gun carriage pick up for the full range
- Possible drum rotating up to 320° on chassis (from TR30 model)
- Automatic drum brake
- Adjustable track and high clearance chassis for simple and 4 wheels frame version
- Hydraulic controls on mobile chassis for easy and perfect operation



SAFETY OPERATING:

- EC compliances with the Machinery Directive as amended 2006/42/CE dd. May 17th, 2006 and with the transporting national laws
- Heavy-duty anchoring with 2 separate stabilizers
- Hydraulic controls with self adjusting control valves
- Optimal weight distribution for a better balance during transportation
- Adjustable toying eye
- Turntable in accordance with industry standards
- Drum non return ratchet
- French Road accreditation



Reliability: Perrot reputation

Strong and professionally designed machines for a long life

- Heavy-duty galvanized mobile and fixed chassis
- Polyurethane painted drum after sand blasting and priming paint coat
- Drum shaft with stainless steel inlet sleeve
- PE pipe manufactured on site by Lindsay Europe with 100% virgin raw material in accordance with very high standards
- Chain driven timing carriage
- Electronic speed control, easy to use and to operate without electro valve
- Electrical shut-off valve by low or high pressure for the full range
- Few spare parts needed



PERROT RANGE, A FULL RANGE.

DIMENSIONS AND WEIGHTS						
Model	Overall height (m)	Overall width (m)	Length with cart (m)	Length without cart (m)	Average weight empty (kg)	Average weight with water (kg)
TR10	2.95	2.54	5.60	3.70	2,400	3,830
TR20	3.20	2.54	5.60	3.70	2,600	4,440
TR25	3.35	2.54	5.60	3.70	2,940	5,160
TR30	3.40	2.60	6.75	4.05	2,900	5,120
TR35	4.00	2.60	7.00	4.30	3,800	6,170
TR40	4.00	2.60	7.00	4.30	3,850	6,600
TR45	4.00	2.60	7.00	4.30	4,010	6,940
TR50	4.20	2.60	7.50	4.80	4,715	7,955
TR55	4.20	2.60	7.50	4.80	4,980	8,360
TR63	4.35	2.70	8.20	5.70	5,800	9,240
TR73	4.35	2.70	8.20	5.70	6,320	10,590
TR83	4.65	2.90	8.20	5.70	7,825	12,400

HOSE LENGTH OPTIONS									
		Model	PE 75	PE 82	PE 90	PE 100	PE 110	PE 120	PE 125
Hydraulic rain gun carriage lift	Single axle	TR10	360 m	340 m	310 m	280 m			
		TR20		420 m	400 m	360 m			
		TR25			450 m	400 m			
		TR30			450 m	400 m			
		TR35			500 m	450 m	350 m		
	Single axle or 4 wheels frame	TR40				520 m	400 m		
		TR45				550 m	450 m		
		TR50				600 m	510 m	470 m	360 m
	4 wheels frame	TR55					560 m	500/520 m	390 m
		TR63					580/600 m	560 m	500/540 m
		TR73					660 m	620 m	600 m
		TR83					750 m	650/700 m	650/680 m

EXPERT | TR10, TR20, TR25



STANDARD EQUIPMENTS:

- Galvanized frame, adjustable wheel track
- Hydraulic stabilizers, turntable and rain gun carriage pick up
- TR10 & TR20 : 10/0,75 x 15,3 – 12 plys wheels
- TR25 : 10/0,75 x 15,3 – 14 plys wheels
- Turbine with integrated bypass and 4 speed gearbox
- Galvanized double water feed, 6 m of lay flat supplying hose
- 1.50 m high clearance galvanized 3 wheeled rain gun carriage
- PR10 electronic speed control
- Automatic drum brake

OPTIONAL EQUIPMENTS:

- Hydraulic or mechanical jack
- Wide tyres 13/55 x 16 – 12 plys
- Pre irrigation assembly (by volume)
- Electric switch off by low or high pressure
- 1.5 m offset articulated rain gun carriage, flanged stand pipe extension
- TELERAIN : wireless GSM monitor and control
- French Road accreditation

Model	PE Pipe (mm)		PE Pipe (m) Length	Inlet Pressure (bars)	Flow rate (m3/h)	Irrigated width (m)
	Diameter	Thickness				
TR10	75	6,9	360	6,6 to 10,6	15 to 37	54 to 66
	82	7,5	340	6,0 to 10,9	15 to 46	54 to 72
	90	6,7	310	5,6 to 10,3	20 to 57	60 to 78
	100	7,4	280	5,6 to 10,8	20 to 70	60 to 84
TR20	82	8,2	420	6,0 to 10,9	21 to 46	60 to 72
	90	6,7	400	5,6 to 10,3	25 to 57	60 to 78
	100	8,0	360	5,6 to 10,8	25 to 65	60 to 84
TR25	90	7,5	450	6,3 to 10,2	26 to 40	63 to 72
	100	8,0	400	5,7 to 10,4	26 to 60	63 to 81

EXPERT | TR30, TR35, TR40, TR45



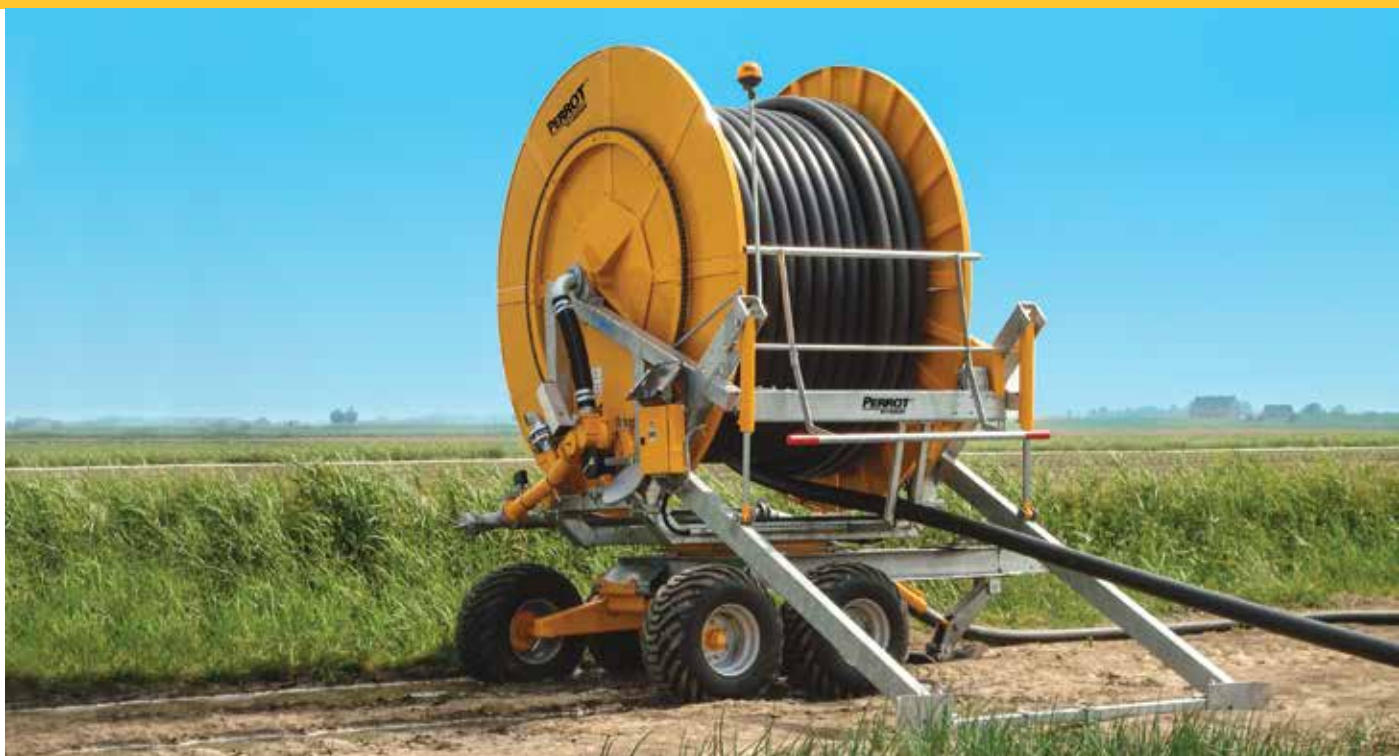
STANDARD EQUIPMENTS:

- Galvanized frame, adjustable wheel track
- TR30, TR35 & TR40: hydraulic stabilizers, turntable and rain gun carriage pick up
- TR45 : hydraulic jack, stabilizers, turntable and raingun carriage pick up
- TR30 : 10/0,75 x 15,3 – 14 plys wheels
- TR35 & TR40 : Single axle, 11,5/0,80 x 15,3 – 12 plys wheels
- TR45 : Single axle, 11,5/0,80 x 15,3 - 16 plys wheels
- TR40 & TR45 : 4 wheels frame, 10/0,75 x 15,3 – 12 plys wheels
- Turbine with integrated bypass and 4 speed gearbox
- Galvanized double water feed, 6 m lay flat supplying hose
- 1.50 m high clearance galvanized 3 wheeled rain gun carriage
- PR10 Electronic speed control
- Automatic drum brake

OPTIONAL EQUIPMENTS:

- TR30, TR35 & TR40 : hydraulic or mechanical jack
- Back paying out device and cab brake
- Wide tyres 400/60 x 15.5 - 14 plys
- Pre irrigation assembly (by volume)
- Electric switch off by low or high pressure
- TR35, TR40 & TR45 : 1.5 m offset articulated rain gun carriage
- Flanged stand pipe extension
- TELERAIN : wireless GSM monitor and control
- French Road accreditation

Model	PE Pipe (mm)		PE Pipe (m) Length	Inlet Pressure (bars)	Flow rate (m ³ /h)	Irrigated width (m)
	Diameter	Thickness				
TR30	90	7,5	450	6,3 to 10,2	26 to 45	63 to 72
	100	8,0	400	5,7 to 10,4	26 to 60	63 to 81
TR35	90	8,7	500	6,2 to 10,0	25 to 40	63 to 72
	100	9,1	450	6,0 to 10,3	30 to 60	66 to 78
	110	8,2	350	5,5 to 9,5	30 to 80	66 to 90
TR40	100	10,5	520	6,6 to 10,7	30 to 55	66 to 75
	110	8,2	400	5,8 to 10,0	30 to 82	66 to 90
TR45	100	11,0	550	6,8 to 10,0	30 to 45	66 to 75
	110	9,5	450	6,2 to 9,7	34 to 77	69 to 90



STANDARD EQUIPMENTS:

- Galvanized frame, adjustable wheel track
- TR50: single axle, 11,5/0,80 x 15,3 - 16 plys wheels
- TR50 & TR55: 4 wheels frame, 11.5/0.80 x 15.3 – 12 plys wheels
- Turbine with integrated bypass and 4 speed gearbox
- Galvanized double water feed, 6 m lay flat supplying hose
- Hydraulic jack and turntable
- Hydraulic stabilizers and rain gun carriage pick up
- 1.50 m high clearance galvanized 3 wheeled rain gun carriage
- Electronic speed control PR10
- Automatic drum brake

OPTIONAL EQUIPMENTS:

- Wide tyres 400/60 x 15.5 - 14 plys
- Pre irrigation assembly (by volume)
- Electric switch off by low or high pressure
- 1.5 m offset articulated rain gun carriage, flanged stand pipe extension
- Back paying out device and cab brake
- TELERAIN : wireless GSM monitor and control
- French Road accreditation

Model	PE Pipe (mm)		PE Pipe (m) Length	Inlet Pressure (bars)	Flow rate (m3/h)	Irrigated width (m)
	Diameter	Thickness				
TR50	100	11,0	600	6,6 to 10,5	34 to 50	69 to 75
	110	10,0	510	6,7 to 11,0	34 to 65	69 to 84
	120	10,7	470	6,7 to 11,0	40 to 90	72 to 90
	125	11,4	360	5,8 to 10,0	45 to 107	72 to 99
TR55	110	11,2	560	7,2 to 10,5	34 to 65	66 to 84
	120	10,7	500	7,0 to 10,5	40 to 80	72 to 90
	120	13,2	520	7,2 to 10,5	42 to 75	72 to 90
	125	11,4	390	6,5 to 10,0	45 to 100	72 to 99

EXPERT | TR63, TR73, TR83



STANDARD EQUIPMENTS:

- Galvanized frame
- TR63 & TR73 : 4 wheels frame with 2 m or 2.2 m wheel track
- TR83 : 4 wheels frame with 2.5 m or 2.2 m wheel track
- TR63 & TR73 : 11,5/0,80 x 15,3 – 12 plys wheels
- TR83 : 11,5/0,80 x 15,3 – 16 plys wheels
- Turbine with integrated bypass and 4 speed gearbox
- Galvanized double water feed, 6 m lay flat supplying hose
- Hydraulic jack and turntable
- Hydraulic rain gun carriage pick up and stabilizers with 2 x 2 separate cylinders
- 1.50 m high clearance galvanized 3 wheeled articulated rain gun carriage
- Electronic speed control PR10
- Automatic drum brake

OPTIONAL EQUIPMENTS:

- Wide tyres 400/60 x 15.5 - 14 plys
- Pre irrigation assembly (by volume)
- Electric switch off by low or high pressure
- 1.5 m offset articulated rain gun carriage, flanged stand pipe extension
- Back paying out device and cab brake
- TELERAIN : wireless GSM monitor and control
- French Road accreditation

Model	PE Pipe (mm)		PE Pipe (m) Length	Inlet Pressure (bars)	Flow rate (m3/h)	Irrigated width (m)
	Diameter	Thickness				
TR63	110	12	580	7,5 to 10,5	34 to 63	69 to 84
	110	12,3	600	8,0 to 10,5	34 to 58	69 to 78
	120	13,2	560	7,5 to 10,0	42 to 70	72 to 81
	125	11,4	500	6,4 to 10,0	44 to 85	72 to 90
	125	14	540	6,7 to 11,0	44 to 85	72 to 90
TR73	110	13,3	660	8,0 to 11,2	40 to 60	72 to 81
	120	13,2	620	7,5 to 11,3	45 to 70	72 to 90
	125	14	600	7,5 to 11,0	45 to 85	72 to 90
TR83	110	14,4	750	8,3 to 11,5	40 to 60	72 to 84
	120	13,2	650	7,5 to 11,5	40 to 75	72 to 90
	120	14,4	700	8,0 to 11,5	45 to 75	72 to 90
	125	14,0	650	7,5 to 11,5	40 to 80	72 to 90
	125	15,0	680	8,0 to 11,5	45 to 80	72 to 90

EASY TO USE AND RELIABLE ELECTRONIC SPEED CONTROL

PR 10-12 – A FULL MANAGEMENT AND CONTROL SYSTEM

- Speed or dose programming with stop time shown on the display
- Pre and post irrigation
- Delayed starting, 4 possible different speed programs during one retraction, possible stop during winding
- Instantaneous speed, battery voltage check and outstanding distance are shown
- Backlit display
- Locked panel door with regulated battery and solar panel
- TELERAIN: WIRELESS GSM MONITOR AND CONTROL
 - Modem integral to PR10-12 panel
 - Remote start up and stop
 - Viewing the hose reel operational status
 - SMS messages receipt in case of irrigation stop



RAIN GUNS

KOMET

Twin 101 Ultra



Twin 140 Ultra



Twin 160 Ultra



NELSON

SR100



SR150



RAIN GUN CARRIAGE MODELS

TR10 – TR20 – TR25

Standard rain gun carriage –
Articulated, 1,50 m high-clearance, with tracer kit, adjustable track from 1,50 to 2,00 m



Offset and articulated rain gun carriage –
1,50 m high-clearance, with tracer kit, adjustable track from 1,50 to 2,00 m



TR30

Standard articulated rain gun carriage -
1,50 m high-clearance, with tracer kit, adjustable track from 1,50 to 2,00 m



TR35 – TR40 – TR45 – TR50 – TR55

Standard articulated rain gun carriage –
1,50 m high-clearance, with tracer kit, adjustable track from 1,50 to 2,00 m



Offset and articulated rain gun carriage –
1,50 m high-clearance, with tracer kit, adjustable track from 1,50 to 2,00 m



TR63 – TR73 – TR83

Standard articulated rain gun carriage –
1,50 m high-clearance, with tracer kit, adjustable track from 1,50 to 2,00 m



Offset and articulated rain gun carriage –
1,50 m high-clearance, with tracer kit, adjustable track from 1,50 to 2,00 m





HOSE REEL MOUNTED BOOMS RANGE TO IRRIGATE UP TO 66 M WIDE



Dealer



Lindsay Europe SAS
72300 La Chapelle d'Aligné, France
Tél: +33 (0)2 43 48 02 02 • Fax: +33 (0)2 43 48 02 00
Web: www.lindsayeurope.com
E-mail: info@lindsay-europe.com