

WALT[®] 80 | NON - REDIRECTIVE CRASH CUSHION

- NEW VERSION CLASS 80
- TESTED ACCORDING TO THE EN1317-3 CRITERIA
- IDEAL FOR WORKZONES

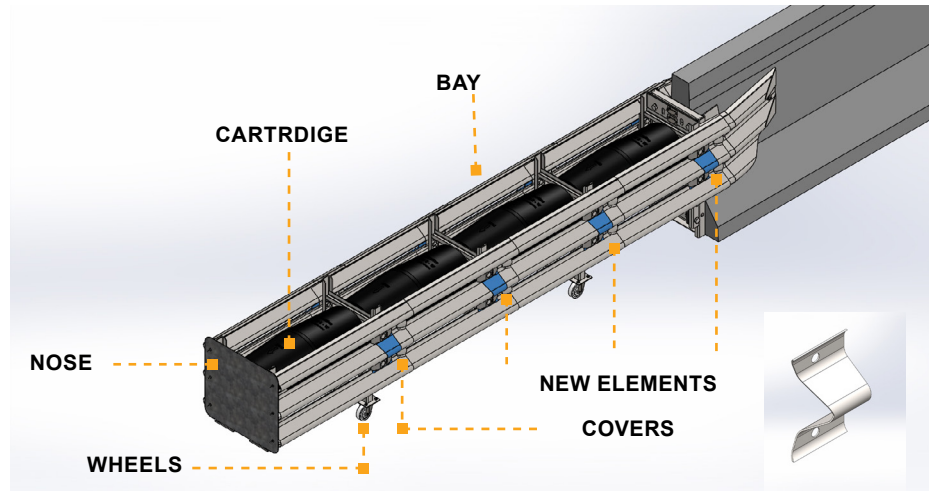


BARRIER SYSTEMS[™]
BY LINDSAY

WALT® 80| NON-REDIRECTIVE CRASH CUSHION

TECHNICAL DATA

	EN1317 - 3 CL. 80
Length	360 cm
Width	60 cm
Heights	80 cm
Weight	350 kg



CRASH CUSHION IDEAL FOR WORKZONES

WALT® system is a non-redirective, semi-permanent attenuator, designed to protect dangerous points in the construction site areas. This new version of WALT® has been tested according to ISO 1317-3-1 at the C.S.I. It differs from the 80/1 version by the presence of particular covers, at the frame junction. Successfully tested, WALT 80 is designed to be connected directly to the barrier and thanks to the characteristic version on wheels without anchoring to the ground it is easy to move and remove. WALT is ideal for temporary or permanent applications.

FAQ

What is the positioning time of WALT 80?

WALT 80 is installed in less than 30 minutes. Reduced dimensions and weight, allow transport and installation in a short time.

Are ground anchors necessary to install WALT?

No, WALT 80 does not need to be anchored to the ground, the device must be positioned and fixed to the barrier with the use of a connection element.

CHARACTERISTICS

- New version
- Meets the EN 1317-3 class 80 standard
- Lightweight and compact
- Available for temporary and permanent applications
- It connects easily without the use of anchors
- Wheel system
- Different connections available according to barrier needs

DISTRIBUTED BY :



18135 Burke Street, Suite 100 • Omaha, NE 68022 • +1 (402) 829-6800 U.S. Toll Free: (888) 800-3691 • www.lindsay.com